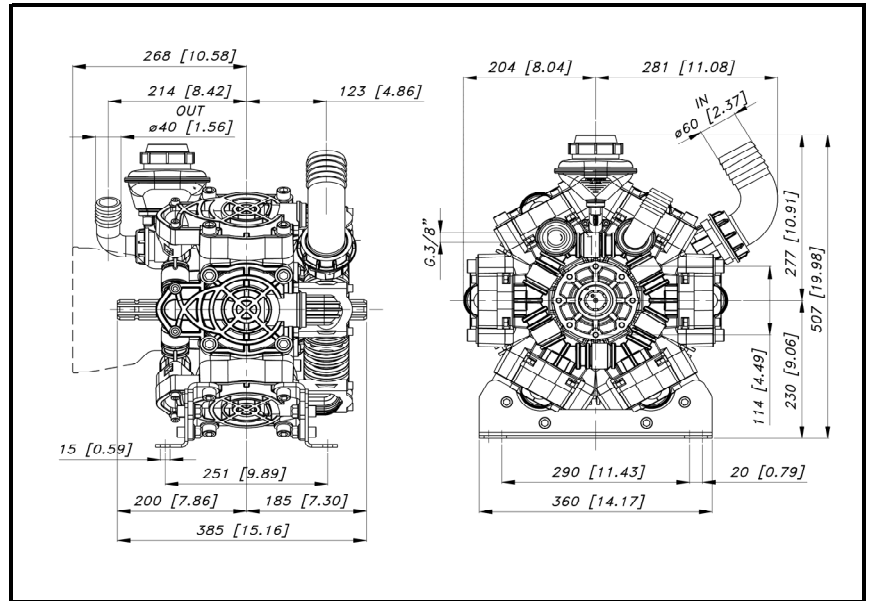
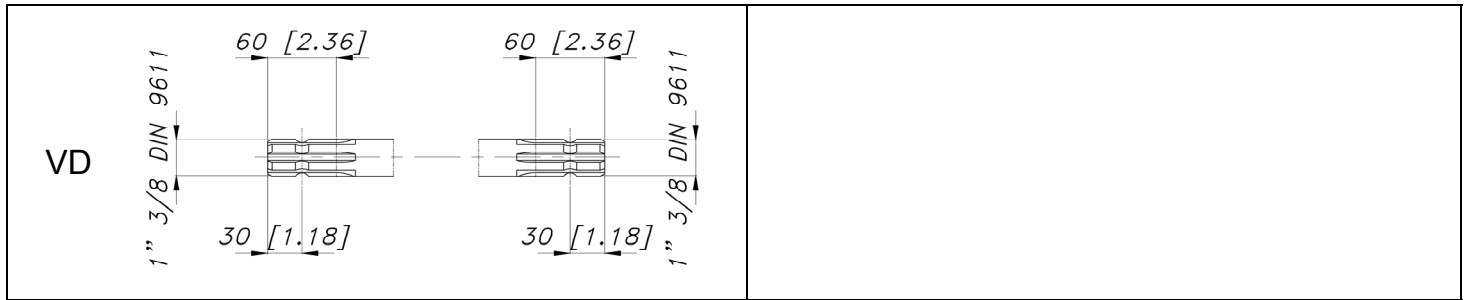


DIMENSIONI D'INGOMBRO - OVERALL DIMENSIONS



ALBERO POMPA - PUMP SHAFT



COPPIA DI SERRAGGIO - TORQUE CHART

CODICE - CODE	Q.TY	POS	N·m	Lbr.ft
86.2562.00.2	8	15	22	16.2
15.0111.51.2	6	27	50	36.9
86.2894.00.2	12	61	10	7.4
86.4250.10.2	16	63	70	51.6
86.3696.00.2	8	45	70	51.6
86.4251.10.2	8	47	70	51.6
86.2216.00.2	2	32	10	7.4
86.2216.00.2	2	36	10	7.4
86.3044.50.2	12	69	22	16.2
86.3694.50.2	1	17	70	51.6
86.2547.00.2	2	77	10	7.4

Tolleranza di serraggio: 0/-10%
Tolerance on torque value: 0/-10%

INFORMAZIONI UTILI
USEFUL INFORMATION

LUBRIFICANTE- LUBRICANT:

OLIO MOTORE O SEMIDRAULICO SAE 30
MOTOR OIL OR SEMI-HYDRAULIC OIL SAE 30

PRESSIONE ACCUMULATORE (BAR)
ACCUMULATOR PRESSURE (BAR=)

PRESSIONE DI LAVORO - OPERATING PRESSURE	2 ÷ 5	5÷10	10 ÷ 20	20 ÷ 50
ACCUMULATORE ACCUMULATOR	3	5	/	/

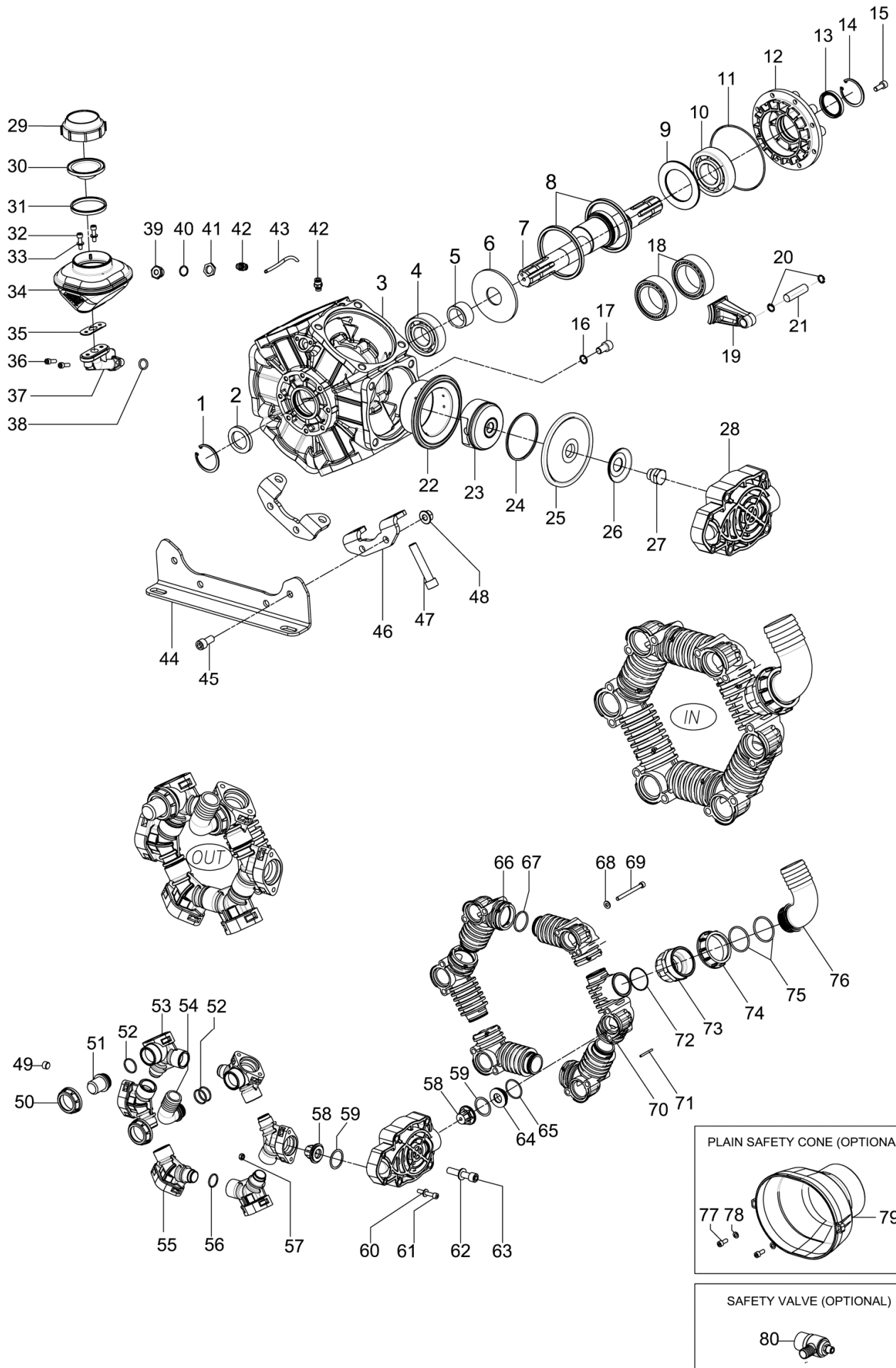
KIT MEMBRANE - DIAPHRAGMS KIT

KIT	15.9805.97.3	DESMOPAN	
POSIZIONE ESPLOSO POSITION NUMBER		25	59
QUANTITA' NEL KIT QUANTITIES INCLUDED		6	12

KIT POMPA/KIT VALVOLE - PUMP KIT/VALVES KIT

KIT	15.9806.97.3	KIT POMPA VD VD PUMP KIT										15.9812.97.3	VALVOLE VALVES					
		2	11	13	59	65	35	38	56	67	72		40	58	59	65		
POSIZIONE ESPLOSO POSITION NUMBER		1	1	1	12	6	1	1	6	6	1	1	12	12	6			
QUANTITA' NEL KIT QUANTITIES INCLUDED		1	1	1	12	6	1	1	6	6	1	1	12	12	6			

POLY 2400 VD



POLY 2400 VD

POS.	CODICE PART NO. REF.	DENOMINAZIONE - DESCRIPTION - DESCRIPTION	Q.TY	POS.	CODICE PART NO. REF.	DENOMINAZIONE - DESCRIPTION - DESCRIPTION	Q.TY
1	80.1369.00.2	RING DIA.52	1	40	80.3090.00.2	O-RING DIA.2x16	1
2	80.2143.10.2	OIL SEAL DIA.35X52X7	1	41	05.0116.53.2	RING G.3/8"	1
3	15.0101.07.2	CRANKCASE	1	42	84.0400.00.2	CONNECTOR FOR PIPE DIA.6mm	2
4	81.2867.00.2	BALL BEARING DIA.35X80X21	1	43	15.0113.00.2	FLEXIBLE PIPE DIA.6mm	1
5	49.0017.61.2	SPACER	1	44	15.0106.61.2	MOUNTING RAIL	2
6	49.0009.61.2	SPACER	1	45	86.3696.00.2	BOLT M12X25 UNI 5931	8
7	49.0006.26.2	CRANKSHAFT VD (1" 3/8 M-M)	1	46	15.0105.61.2	MOUNTING RAIL BRACKET	4
8	49.0010.41.2	CONROD RING	2	47	86.4251.10.2	BOLT M14X75 UNI 5931	8
9	49.0002.61.2	SPACER	1	48	81.4706.00.2	NUT M12	8
10	81.2913.00.2	BALL BEARING DIA.40X90X23	1	49	85.2585.00.2	CAP G.3/8"	1
11	80.3210.68.2	O-RING DIA.2,62X120,32	1	50	82.0071.30.2	WING NUT G.1" 1/2	2
12	48.0003.09.2	BEARING COVER	1	51	15.0107.54.2	SAFETY VALVE CONNECTOR	1
13	80.2178.10.2	OIL SEAL DIA.40X52X7	1	52	80.3219.10.2	O-RING DIA.3X30	3
14	80.1369.00.2	RING DIA.52	1	53	15.0008.32.2	OUTLET PIPE MANIFOLD G.1" 1/2	2
15	86.2562.00.2	BOLT M8X20 UNI 5931	8	54	84.0591.00.2	90° ELBOW CONNECTOR DIA.40mm	1
16	82.4066.00.2	COPPER WASHER	1	55	15.0007.32.2	OUTLET PIPE MANIFOLD	4
17	86.3694.50.2	BOLT M12X20 UNI 5931	1	56	80.3206.00.2	O-RING DIA.2,62X28,25	6
18	81.2955.00.2	BEARING DIA.63X80X25	2	57	81.4574.50.2	NUT M8 UNI 5588	12
19	15.0108.11.2	CONROD	6	58	28.9809.97.3	VALVE ASSY	12
20	80.0021.00.2	CONROD RING	12	59	80.3314.00.2	O-RING DIA.4,5X40	12
21	85.2007.00.2	PISTON PIN	6	60	84.3697.00.2	WASHER DIA.8,4X18X2 UNI 1734	12
22	15.0109.01.2	PISTON SLEEVE	6	61	86.2894.00.2	BOLT M8X50 UNI 5931	12
23	15.0110.09.2	PISTON	6	62	84.3913.10.2	WASHER D.14,2X28X2,5 UNI 1734	16
24	81.8550.00.2	PISTON RING	6	63	86.4250.10.2	BOLT M14X70 UNI 5931	16
25	14.0035.00.A	PISTON DIAPHRAGM	6	64	28.0229.32.2	VALVE SPACER	6
26	15.0112.68.2	DIAPHRAGM DISK	6	65	80.3209.40.2	O-RING DIA.2,62X44,12	6
27	15.0111.51.2	DIAPHRAGM SCREW	6	66	14.0029.32.2	INLET PIPE MANIFOLD	5
28	15.0114.32.2	PUMP HEAD	6	67	80.3309.00.2	O-RING DIA.4X40	6
29	28.0144.32.2	OIL FILLER CAP	1	68	84.3697.00.2	WASHER DIA.8,4X18X2 UNI 1734	12
30	41.0017.31.2	OIL FILLER DIAPHRAGM	1	69	86.3044.50.2	BOLT M8X90 UNI 5931	12
31	14.0116.32.2	DIAPHRAGM SPACER	1	70	14.0032.32.2	INLET PIPE MANIFOLD G.2"	1
32	86.2216.00.2	BOLT M6X25 UNI 5931	2	71	85.1161.00.2	PIN DIA.4X45	12
33	84.3585.00.2	WASHER UNI 6592	2	72	80.3080.40.2	O-RING DIA.1,78x53,7	1
34	40.9812.97.3	OIL FILLER	1	73	14.0119.32.2	NIPPLES G.2"-G.2" 1/2	1
35	14.0017.72.2	OIL FILLER GASKET	1	74	82.0122.00.2	WING NUT G.2" 1/2	1
36	86.2216.00.2	BOLT M6X25 UNI 5931	2	75	80.3278.00.2	O-RING DIA.3,53X55,56	2
37	15.0104.07.2	OIL FILLER FLANGE	1	76	84.0612.00.2	90° ELBOW CONNECTOR DIA.60mm	1
38	80.3181.00.2	O-RING DIA.2,62X15,54	1	77	86.2547.00.2	BOLT M6X18 UNI 5931 (OPTIONAL)	2
39	15.0115.54.2	CONNECTOR G.3/8"	1	78	84.3685.50.2	WASHER DIA.8,2X15X1,5 (OPTIONAL)	2
				79	31.1482.32.2	PLAIN SAFETY CONE 180mm (OPT)	1
				80	24.3016.97.3	SAFETY VALVE 15 BAR (OPTIONAL)	1