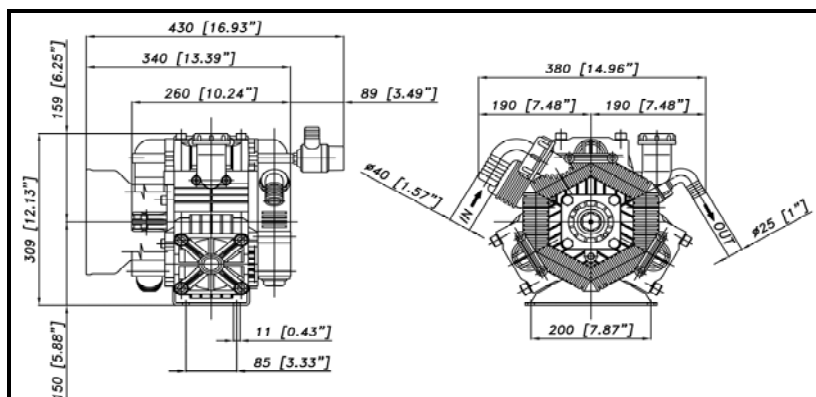
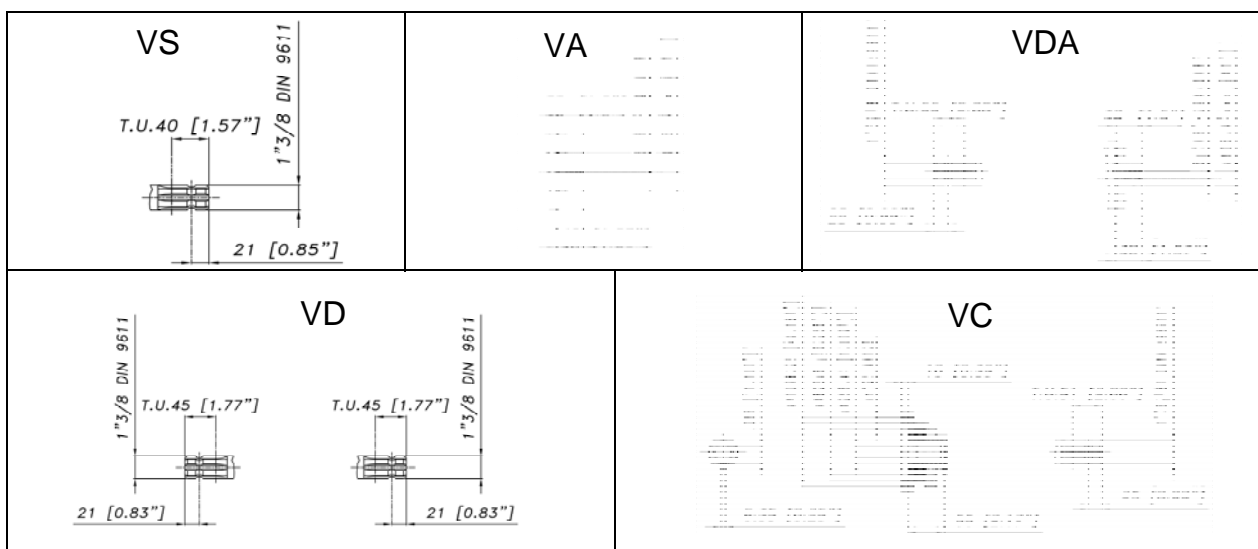


DIMENSIONI D'INGOMBRO - OVERALL DIMENSIONS



ALBERO POMPA - PUMP SHAFT



| COPPIA DI SERRAGGIO - TORQUE CHART | | | | |
|------------------------------------|------|-----|---------------------|-----------------------|
| CODICE - CODE | Q.TY | POS | N-m | Lbr.ft |
| 62.9811.97.3 | 1 | 70 | 25 | 18,4 |
| 83.5089.00.2 | 1 | 49 | 20 | 14,7 |
| 85.2720.00.2 | 1 | 54 | 20 | 14,7 |
| 85.2576.00.2 | 1 | 47 | 5 (LOXEAL 24-18) | 3,7 (LOXEAL 24-18) |
| 86.2960.00.2 | 12 | 40 | 8 | 5,9 |
| 86.3187.00.2 | 4 | 8 | 25 | 18,4 |
| 86.3264.00.2 | 3 | 64 | 44 | 32,4 |
| 86.4068.00.2 | 12 | 30 | 40 | 29,5 |
| 86.3694.50.2 | 1 | 17 | 40 | 29,5 |
| 86.2730.50.2 | 2 | 35 | 5 | 3,7 |
| 86.2752.10.2 | 4 | 60 | 10 | 7,4 |

Tolleranza di serraggio: 0/-10%
Tolerance on torque value: 0/-10%

| INFORMAZIONI UTILI USEFUL INFORMATION | | | | |
|--|-------|--------|---------|---------|
| LUBRIFICANTE- LUBRICANT: OLIO MOTORE O SEMIIDRAULICO SAE 30 MOTOR OIL OR SEMI-HYDRAULIC OIL SAE 30 | | | | |
| PRESSIONE ACCUMULATORE ACCUMULATOR PRESSURE | | | | |
| PRESSIONE DI LAVORO - OPERATING PRESSURE | 2 ÷ 5 | 5 ÷ 10 | 10 ÷ 20 | 20 ÷ 50 |
| ACCUMULATORE ACCUMULATOR | 2 | 2 ÷ 5 | 5 ÷ 7 | 6 ÷ 8 |

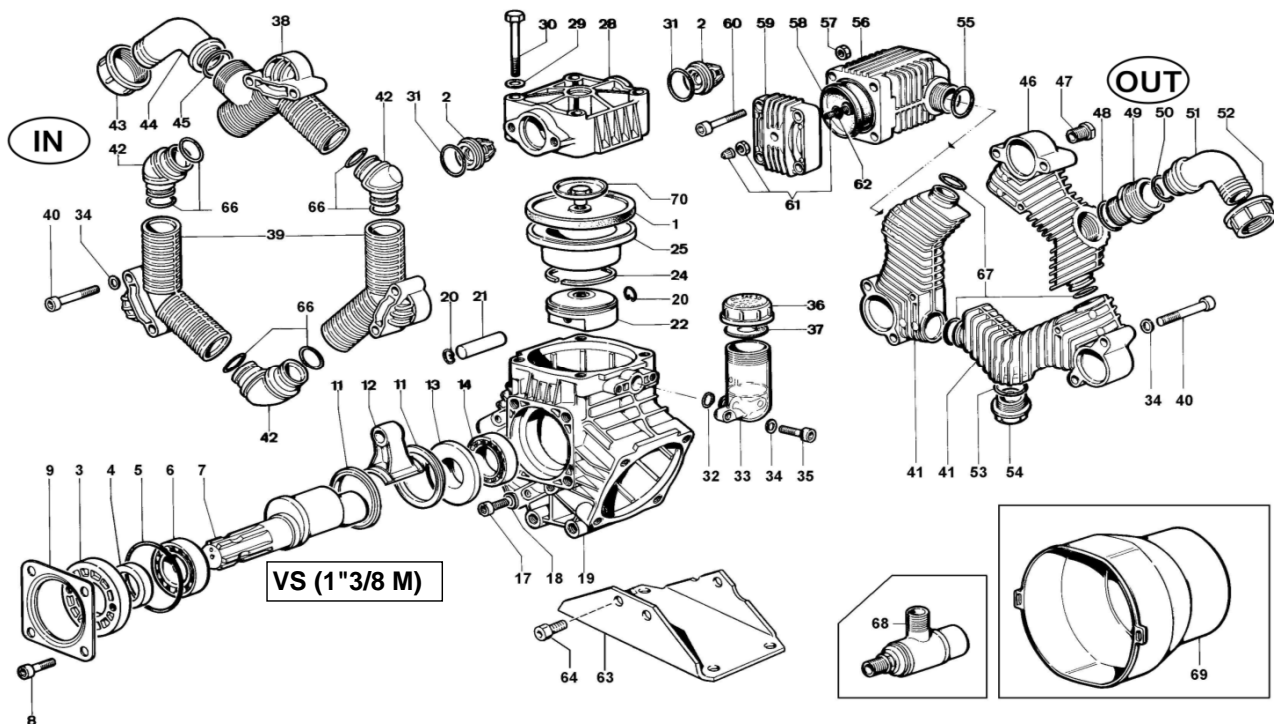
KIT MEMBRANE - DIAPHRAGMS KIT

| KIT | BUNA - N | | | DESMOPAN | | | VITON | | | | | | | PENTAX | | | | | |
|--|--------------|----|----|--------------|----|----|--------------|----|----|----|----|----|----|--------|--------------|--------------|----|----|----|
| | 62.9806.97.3 | 31 | 58 | 62.9807.97.3 | 31 | 58 | 62.9809.97.3 | 1 | 31 | 58 | 48 | 53 | 55 | 66 | 67 | 62.9812.97.3 | 1 | 31 | 58 |
| POSIZIONE ESPLOSO POSITION NUMBER | 1 | 31 | 58 | 1 | 31 | 58 | 1 | 31 | 58 | 48 | 53 | 55 | 66 | 67 | 62.9812.97.3 | 1 | 31 | 58 | |
| QUANTITA' NEL KIT QUANTITIES INCLUDED | 3 | 6 | 1 | 3 | 6 | 1 | 3 | 6 | 1 | 1 | 1 | 1 | 6 | 3 | 62.9812.97.3 | 3 | 6 | 1 | |

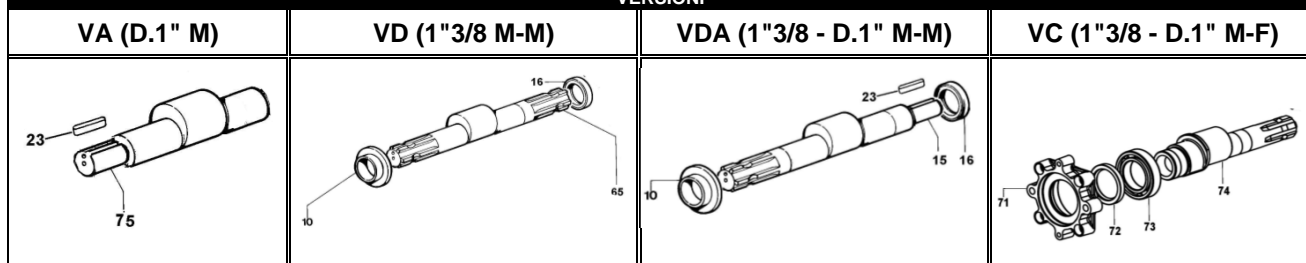
KIT POMPA/KIT VALVOLE - PUMP KIT/VALVES KIT

| KIT | KIT POMPA VS-VA VS-VA PUMP KIT | | | | | KIT POMPA VD-VDA VD-VDA PUMP KIT | | | | | | KIT POMPA VC VC PUMP KIT | | | | VALVOLE VALVES KIT | | VAM INOX VALVES KIT | | | | | | | |
|--|-----------------------------------|---|----|----|----|-------------------------------------|--------------|---|----|----|----|-----------------------------|--------------|--------------|----|-----------------------|----|------------------------|----|--------------|--------------|----|--------------|--------------|----|
| | 62.9803.97.3 | 4 | 5 | 31 | 66 | 67 | 62.9820.97.3 | 4 | 5 | 31 | 66 | 67 | 16 | 62.9821.97.3 | 72 | 5 | 31 | 66 | 67 | 16 | 62.9804.97.3 | 2 | 31 | 62.9805.97.3 | 2 |
| POSIZIONE ESPLOSO POSITION NUMBER | 4 | 5 | 31 | 66 | 67 | 62.9820.97.3 | 4 | 5 | 31 | 66 | 67 | 16 | 62.9821.97.3 | 72 | 5 | 31 | 66 | 67 | 16 | 62.9804.97.3 | 2 | 31 | 62.9805.97.3 | 2 | 31 |
| QUANTITA' NEL KIT QUANTITIES INCLUDED | 1 | 1 | 6 | 6 | 3 | 62.9820.97.3 | 1 | 1 | 6 | 6 | 3 | 1 | 62.9821.97.3 | 1 | 1 | 6 | 6 | 3 | 1 | 62.9804.97.3 | 6 | 6 | 62.9805.97.3 | 6 | 6 |

POLY 2120 - 2150 VS (1"3/8 M)



VERSIONI



| POS. | CODICE PART NO. REF. | DENOMINAZIONE - DESCRIPTION - DESCRIPTION | Q.TY | POS. | CODICE PART NO. REF. | DENOMINAZIONE - DESCRIPTION - DESCRIPTION | Q.TY |
|------|----------------------|---|------|------|----------------------|---|------|
| 1 | 62.0040.00.2 | DESMOPAN PISTON DIAPHRAGM | 3 | 40 | 86.2960.00.2 | SCREW M8x65 UNI5931 | 12 |
| 1 | 62.0040.31.2 | BUNA-N PISTON DIAPHRAGM (OPTIONAL) | 3 | 41 | 62.0002.32.2 | MANIFOLD PIPE (OUTLET) | 2 |
| 1 | 62.0040.33.2 | VITON PISTON DIAPHRAGM (OPT.) | 3 | 42 | 62.0007.32.2 | ELBOW MANIFOLD | 3 |
| 1 | 62.0040.36.2 | HPS PISTON DIAPHRAGM (OPT.) | 3 | 43 | 82.0070.00.2 | WING NUT G.1"1/2 | 1 |
| 2 | 28.9809.97.3 | S.S. VALVE ASSY | 6 | 44 | 84.0591.00.2 | 90° ELBOW CONNECTOR DIA.40-1,57" | 1 |
| 3 | 53.0007.32.2 | HOUSING | 1 | 44 | 84.0571.00.2 | 90° ELBOW CONNECTOR DIA.38-1,49" (OPT.) | 1 |
| 4 | 80.2143.10.2 | OIL SEAL DIA.35x52x7 | 1 | 45 | 80.3219.10.2 | O-RING 3,0x30 | 1 |
| 5 | 80.3310.00.2 | O-RING 4.0X82 | 1 | 46 | 62.0031.32.2 | MANIFOLD PIPE G.3/8 | 1 |
| 6 | 81.2846.00.2 | BEARING DIA.35x72x17 | 1 | 47 | 85.2576.00.2 | CAP G.3/8 | 1 |
| 7 | 62.0010.26.2 | CRANKSHAFT 1"3/8 "VS" | 1 | 48 | 80.3219.10.2 | O-RING 3,0x30 | 1 |
| 8 | 86.3187.50.2 | SCREW M10x18 UNI5931 | 4 | 48 | 80.3219.15.2 | O-RING 3,0x30 (KIT VITON) | 1 |
| 8 | 86.3264.00.2 | SCREW M10x25 UNI5931 | 4 | 49 | 83.5089.00.2 | NIPPLES G.1"-G.1"1/4 | 1 |
| 9 | 17.0016.61.2 | FLANGE | 1 | 50 | 80.3219.00.2 | O-RING 3,0x25 | 1 |
| 10 | 62.0029.09.2 | SPACER CRANKSHAFT "VD" | 1 | 51 | 84.0542.40.2 | 90° ELBOW CONNECTOR DIA.25-1" | 1 |
| 11 | 98.0047.76.2 | CONNECTING ROD RING | 2 | 51 | 84.1608.40.2 | STRAIGHT CONNECTOR DIA.25-1" (OPT.) | 1 |
| 12 | 62.0008.11.2 | CONROD | 3 | 52 | 82.0067.50.2 | WING NUT G.1"1/4 | 1 |
| 13 | 28.0027.09.2 | SHAFT SPACER | 1 | 53 | 80.3206.00.2 | O-RING 2,62x28,25 | 1 |
| 14 | 81.2837.00.2 | BEARING DIA.35x62x14 | 1 | 53 | 80.3206.50.2 | O-RING 2,62x28,25 (KIT VITON) | 1 |
| 15 | 62.0027.26.2 | CRANKSHAFT "VDA" | 1 | 54 | 85.2720.00.2 | CAP G 1" | 1 |
| 16 | 80.2143.10.2 | OIL SEAL DIA.35x52x7 | 1 | 55 | 80.3219.10.2 | O-RING 3,0x30 | 1 |
| 17 | 86.3694.50.2 | SCREW M12x20 UNI5931 | 1 | 55 | 80.3219.15.2 | O-RING 3,0x30 (KIT VITON) | 1 |
| 18 | 82.4066.00.2 | GASKET DIA.12,2x18x1,5 COPPER | 1 | 56 | 27.0035.32.2 | DAMPER BODY | 1 |
| 19 | 62.0001.09.2 | CRANKCASE "VS" | 1 | 57 | 81.4574.50.2 | NUT M8 UNI5588 | 4 |
| 19 | 62.0030.09.2 | CRANKCASE "VD"- "VDA"- "VC" | 1 | 58 | 23.0041.31.2 | BALLASTER DIAPHRAGM | 1 |
| 20 | 80.0021.00.2 | RING DIA.15 | 6 | 58 | 23.0041.36.2 | HPS BALLASTER DIAPHRAGM | 1 |
| 21 | 85.2006.70.2 | PISTON PIN DIA.15 | 3 | 58 | 23.0041.33.2 | VITON BALLASTER DIAPHRAGM | 1 |
| 22 | 62.0018.09.2 | PISTON DIA.78 (POLY 2150) | 3 | 59 | 11.0004.09.2 | BALLASTER COVER | 1 |
| 22 | 63.0013.09.2 | PISTON DIA.72 (POLY 2120) | 3 | 60 | 86.2752.10.2 | SCREW M8x35 UNI5931 | 4 |
| 23 | 80.6475.00.2 | TAB 6,36x6,36x38 | 1 | 61 | 86.1608.50.2 | AIR VALVE | 1 |
| 24 | 81.8540.00.2 | PISTON RING DIA.78 (POLY 2150) | 3 | 62 | 80.3213.00.2 | O-RING 3,0x6 | 1 |
| 24 | 81.8530.00.2 | PISTON RING D.72 (POLY 2120) | 3 | 63 | 63.0006.61.2 | MOUNTING RAIL | 1 |
| 25 | 62.0019.01.2 | PISTON SLEEVE (POLY 2150) | 3 | 64 | 86.3255.00.2 | SCREW M10x25 UNI5739 | 3 |
| 25 | 62.0005.01.2 | PISTON SLEEVE DIA.72 (POLY 2120) | 3 | 65 | 62.0024.26.2 | CRANKSHAFT "VD" | 3 |
| 28 | 62.0025.32.2 | HEAD | 3 | 66 | 80.3206.00.2 | O-RING 2,62x28,25 | 6 |
| 29 | 84.3844.50.2 | WASHER DIA.12,2x21x2,5 | 12 | 66 | 80.3206.50.2 | O-RING 2,62x28,25 (KIT VITON) | 6 |
| 30 | 86.4068.00.2 | SCREW M12x75 UNI5931 | 12 | 67 | 80.3217.00.2 | O-RING 3,0x19 | 3 |
| 31 | 80.3314.00.2 | O-RING 4,5x40 | 6 | 67 | 80.3217.50.2 | O-RING 3,0x19 (KIT VITON) | 3 |
| 31 | 80.3314.50.2 | O-RING 4,5x40 (KIT VITON) | 6 | 68 | 24.3016.97.3 | SAFETY VALVE 15bar (OPTIONAL) | 1 |
| 32 | 80.3180.00.2 | O-RING 2,62x15,08 | 1 | 69 | 31.1468.32.2 | PLAIN SAFETY CONE (OPTIONAL) | 1 |
| 33 | 23.0008.32.2 | OIL FILLER | 1 | 69 | 31.1482.32.2 | PLAIN SAFETY CONE (OPTIONAL) | 1 |
| 34 | 84.3685.50.2 | WASHER DIA.8,2x15x1,5 | 14 | 70 | 62.9811.97.3 | KIT SCREW/DISK INOX (POLY 2150) | 3 |
| 35 | 86.2730.50.2 | SCREW M8x30 UNI5931 | 2 | 70 | 62.9818.97.3 | KIT SCREW/DISK INOX (POLY 2120) | 3 |
| 36 | 85.2750.00.2 | OIL FILLER CAP | 1 | 71 | 62.0107.07.2 | BALL BEARING HOLDER (VC) | 1 |
| 37 | 82.4120.00.2 | GASKET DIA.45x19x1,5 | 1 | 72 | 80.2191.10.2 | OIL SEAL DIA. 45x62x7 (VC) | 1 |
| 38 | 62.0004.32.2 | MANIFOLD PIPE G.1"1/2 | 1 | 73 | 81.2933.00.2 | BALL BEARING 6009 (VC) | 1 |
| 39 | 62.0003.32.2 | MANIFOLD PIPE | 2 | 74 | 62.0108.26.2 | CRANKSHAFT "VC" | 1 |
| | | | | 75 | 62.0022.26.2 | CRANKSHAFT "VA" | 1 |